



ASM 182 T

Compact leak detector with rotary vane pump, 20 m³/h backing capacity



Similar Image

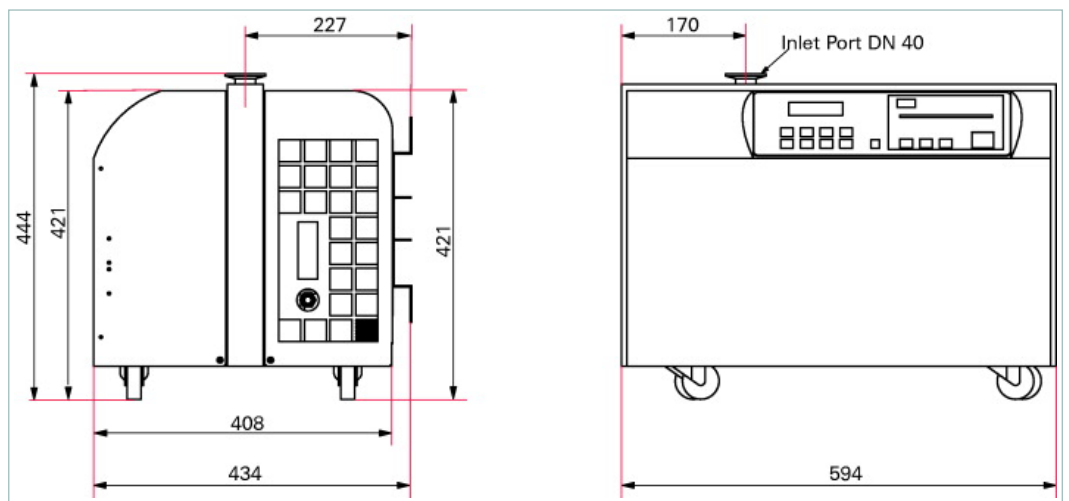
ASM 182 T standard, German language, 200/240 V and European power cable

- Powerful rotary vane pump with 20 m³/h backing capacity
- 4.4 l/s helium pumping speed
- 200/240 V operating voltage
- European power cable
- Operator interface and voice synthesizer in German

Three masses leak detection instead of only helium available upon request

Metal seals on the analyzer cell available upon request

Dimensions



Technical Data	ASM 182 T standard, German language, 200/240 V and European power cable
Backing pump	with oil sealed backing pump
Backing pump capacity	20 m ³ /h
Detectable gases	⁴ He
Dimensions (L x W x H)	594 x 434 x 444 mm 23.39 x 17.09 x 17.48 inch
Flange (in)	DN 40 ISO-KF
I/O interfaces	Digital inputs (Start, Vent, Calibration...); Digital outputs (Test modes, cycle in progress, helium signal above reject set point...); Analog outputs (Helium signal log, Inlet pressure)
Interface	RS-232
Language	German
Mains cable	European power cable
Max. inlet test pressure	6 hPa 4.5 Torr 6 mbar
Minimum detectable leak rate for helium (sniffing leak detection)	1 · 10 ⁻⁸ Pa m ³ /s 7.5 · 10 ⁻⁸ Torr l/s 1 · 10 ⁻⁷ mbar l/s
Minimum detectable leak rate for helium (vacuum leak detection)	5 · 10 ⁻¹³ Pa m ³ /s 3.75 · 10 ⁻¹² Torr l/s 5 · 10 ⁻¹² mbar l/s
Noise level	54 dB (A)
Operating temperature	10-40 °C 50-104 °F 283-313 K
Power consumption	1000 W
Pumping speed for He	4.4 l/s
Start-up time (20°C) with calibration	4.5 min
Start-up time (20°C) without calibration	3 min

Technical Data	ASM 182 T standard, German language, 200/240 V and European power cable
Supply	200-240 V, 50/60 Hz
Test method	Vacuum and sniffing leak detection
Type	High Performance - Compact
User interface	Basic user interface
Weight	76 kg 167.55 lb

Order number	
ASM 182 T	D20RS00PC820

Accessories	
Bottle holder	
Bottle holder dedicated for transport cart 111196	802819
Standard remote control	
Remote control, leak rate in mbar l/s, legend in English	106688
Remote control, leak rate in Pa m ³ /s, legend in English	108880
Remote control, leak rate in Torr l/s, legend in English	108881
Test chambers to be mounted on the inlet flange of ASM 182 series	
Large aluminium test chamber, cylindrical, internal dimensions: 160 mm diameter, 100 mm height	802458
Medium aluminium test chamber, cylindrical, internal dimensions: 85 mm diameter, 68 mm height	802456
Transport cart	
Transport cart, stainless steel, for ASM 182 T and ASM 182 TD+	111196

VACUUM SOLUTIONS FROM A SINGLE SOURCE

Pfeiffer Vacuum stands for innovative and custom vacuum solutions worldwide, technological perfection, competent advice and reliable service.

COMPLETE RANGE OF PRODUCTS

From a single component to complex systems:

We are the only supplier of vacuum technology that provides a complete product portfolio.

COMPETENCE IN THEORY AND PRACTICE

Benefit from our know-how and our portfolio of training opportunities!

We support you with your plant layout and provide first-class on-site service worldwide.

Are you looking for a
perfect vacuum solution?
Please contact us:

Pfeiffer Vacuum GmbH
Headquarters · Germany
T +49 6441 802-0
info@pfeiffer-vacuum.de

www.pfeiffer-vacuum.com

All data subject to change without prior notice.

PFEIFFER  **VACUUM**