



# ASM 310

Superior performance, light weight and universal voltage enables the ASM 310 to be easily operated at any location.

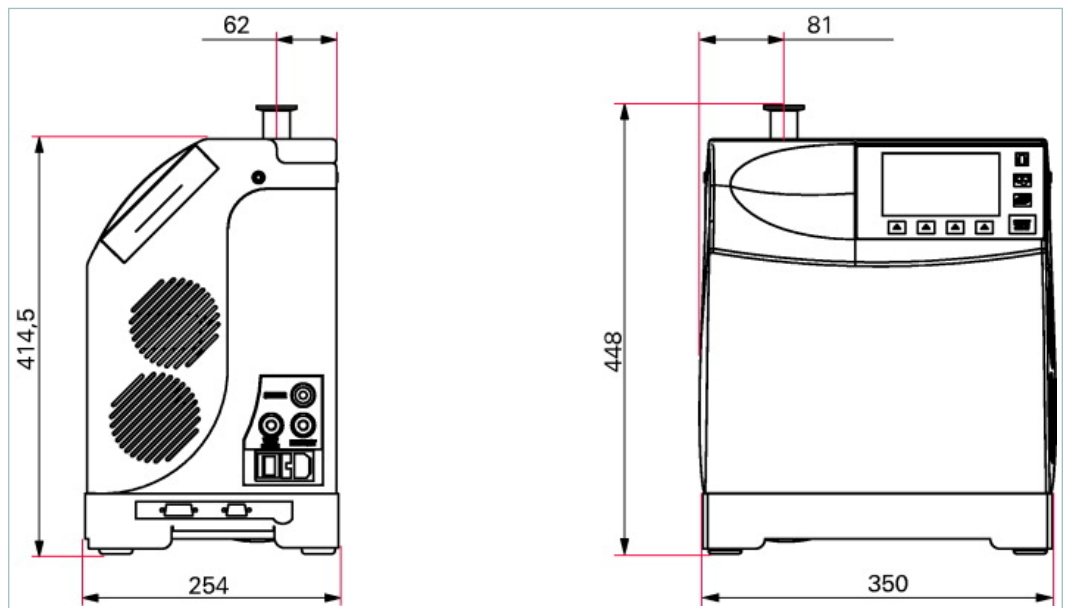


Similar Image

## ASM 310, universal voltage

- Oil free pumping system, roughing capacity 1.7 m<sup>3</sup>/h
- Ultralight, only 21 kg (46 lbs) and easy to move
- Large bright color touchscreen with graphics functionality
- Intuitive and customizable menu
- Integrated SD memory card for recording and downloading capacities

### Dimensions



Technical Data	ASM 310, universal voltage
Backing pump	with oil free backing pump
Backing pump capacity	1.7 m <sup>3</sup> /h
Detectable gases	<sup>4</sup> He, <sup>3</sup> He, H <sub>2</sub>
Dimensions (L x W x H)	350 x 254 x 415 mm   13.78 x 10 x 16.34 inch
Flange (in)	DN 25 ISO-KF
I/O interfaces	Digital, Analog (mantissa, exponent)
Interface	RS-232
Max. inlet test pressure	15 hPa   11.25 Torr   15 mbar
Minimum detectable leak rate for helium (sniffing leak detection)	1 · 10 <sup>-8</sup> Pa m <sup>3</sup> /s   7.5 · 10 <sup>-8</sup> Torr l/s   1 · 10 <sup>-7</sup> mbar l/s
Minimum detectable leak rate for helium (vacuum leak detection)	5 · 10 <sup>-13</sup> Pa m <sup>3</sup> /s   3.75 · 10 <sup>-12</sup> Torr l/s   5 · 10 <sup>-12</sup> mbar l/s
Noise level	< 45 dB (A)
Operating temperature	10-40 °C   50-104 °F   283-313 K
Pumping speed for He	1.1 l/s
Response time (Sniffing leak detection)	< 1 s
Start-up time (20°C) with calibration	< 3.5 min
Start-up time (20°C) without calibration	< 2 min
Supply	90-240 V, 50/60 Hz
Test method	Vacuum and sniffing leak detection
Type	Mobile
User interface	Graphic color touch screen (detachable)
Weight	21 kg   46.3 lb

Order number	
ASM 310	BSAA0000MM9A

Accessories	
<b>Connection cable for remote control</b>	
Connection cable for remote control, 10 meters	110881
Connection cable for remote control, 15 meters	101882
<b>Country-specific power cables</b>	
Power cable, 2.5 m, Switzerland	103718
Power cable, 2.5 m, UK	104411
Power cable, 2 m, Italy	104758
<b>Standard remote control</b>	
Remote control, leak rate in mbar l/s, legend in English	106688
Remote control, leak rate in Pa m <sup>3</sup> /s, legend in English	108880
Remote control, leak rate in Pa m <sup>3</sup> /s, legend in Japanese	106690
Remote control, leak rate in Torr l/s, legend in English	108881
Remote Control RC 500 WL for helium leak detector, wireless	PT 445 432-T
<b>Transportation accessories</b>	
Transportation case to safeguard the ASM 310 against shipping damage	119594
Trolley for ASM 310 with two wheels	114820

## **VACUUM SOLUTIONS FROM A SINGLE SOURCE**

Pfeiffer Vacuum stands for innovative and custom vacuum solutions worldwide, technological perfection, competent advice and reliable service.

## **COMPLETE RANGE OF PRODUCTS**

From a single component to complex systems:

We are the only supplier of vacuum technology that provides a complete product portfolio.

## **COMPETENCE IN THEORY AND PRACTICE**

Benefit from our know-how and our portfolio of training opportunities!

We support you with your plant layout and provide first-class on-site service worldwide.

Are you looking for a  
perfect vacuum solution?  
Please contact us:

**Pfeiffer Vacuum GmbH**  
Headquarters · Germany  
T +49 6441 802-0  
info@pfeiffer-vacuum.de

[www.pfeiffer-vacuum.com](http://www.pfeiffer-vacuum.com)

All data subject to change without prior notice.

**PFEIFFER**  **VACUUM**