



SplitFlow™ 50

The ideal turbopump for analytical applications.
Especially suited for highest gas loads
in mass spectrometry and leak detection.

Advantages at a glance

- Very robust design
- Highest gas throughputs
- Highest backing vacuum compatibility

Accessories

The following accessories are available to you:

- Power supplies
- Cabling
- Accessories for venting, cooling and heating
- Backing pump control
- Mounting materials

Detailed information on request.



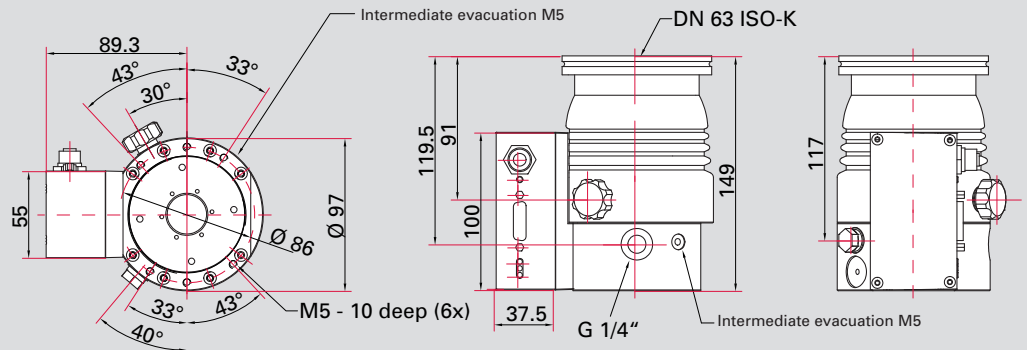
Technical data

Pump model	SplitFlow™ 50	Pump model	SplitFlow™ 50
Nominal connection diameter		Max. gas throughput at rated speed	
Inlet – High vacuum	DN 63 ISO-K	Nitrogen (N ₂)	1.8 mbar l/s
Inlet – Intermediate evacuation	M5	Helium (He)	7.3 mbar l/s
Outlet	G 1/4"	Max. backing vacuum pressure	
Venting connection	G 1/8"	Nitrogen (N ₂)	20 mbar
Pumping speed for		Rotation speed ±2%	90,000 min ⁻¹
Nitrogen (N ₂)	53 l/s	Rotation speed variable	50-100 %
Helium (He)	27 l/s	Sound pressure level ≤	48 dB (A)
Hydrogen (H ₂)	21 l/s	Operating voltage	24 (± 5 %) V DC
Argon (Ar)	53 l/s	Power consumption max.	110 W
Tetrafluoromethane (CF ₄)	49 l/s	Weight	2.3 kg
Compression ratio for		Cooling method, standard	Convection
Nitrogen (N ₂)	1 · 10 ⁸	Cooling method, optional	Air/Water
Helium (He)	1.80 · 10 ⁵	Interfaces	RS-485, Remote
Hydrogen (H ₂)	1.30 · 10 ⁴		
Argon (Ar)	2.10 · 10 ⁸		
Tetrafluoromethane (CF ₄)	2.20 · 10 ⁸		

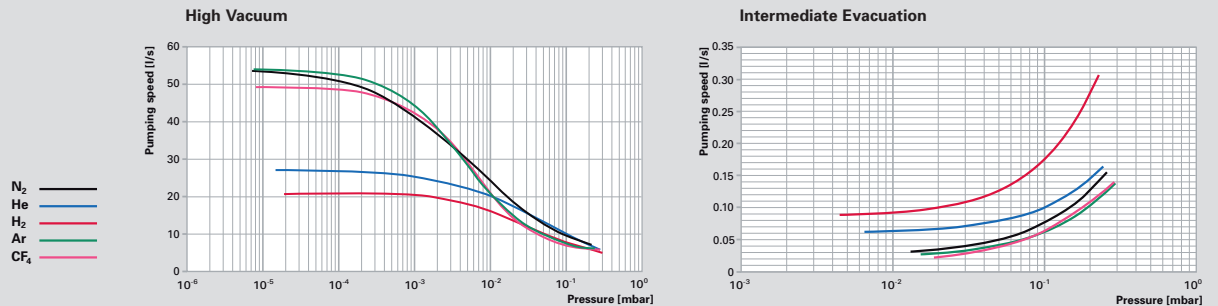
Order number

Pump model	SplitFlow™ 50
Order number	PM P04 340

Dimensions



Pumping speed



Leading. Dependable. Customer Friendly.

Pfeiffer Vacuum stands for innovative and custom vacuum solutions worldwide, for German engineering art, competent advice and reliable service.

Ever since the invention of the turbopump, we've been setting standards in our industry and this claim to leadership will continue to drive us in the future.

Are you looking for a perfect vacuum solution? Please contact us:

Germany
Pfeiffer Vacuum GmbH
Headquarters
Phone: +49 (0) 6441 802-0
info@pfeiffer-vacuum.de

Benelux
Pfeiffer Vacuum GmbH
Sales & Service Benelux
Phone: +800-pfeiffer
benelux@pfeiffer-vacuum.de

China
Pfeiffer Vacuum
(Shanghai) Co., Ltd.
Phone: +86 21 3393 3940
info@pfeiffer-vacuum.cn

France
Pfeiffer Vacuum France SAS
Phone: +33 169 30 92 82
info@pfeiffer-vacuum.fr

Great Britain
Pfeiffer Vacuum Ltd.
Phone: +44 1908 500600
sales@pfeiffer-vacuum.co.uk

India
Pfeiffer Vacuum India Ltd.
Phone: +91 40 2775 0014
pfeiffer@vsnl.net

Italy
Pfeiffer Vacuum Italia S.p.A.
Phone: +39 02 93 99 05 1
contact@pfeiffer-vacuum.it

Korea
Pfeiffer Vacuum Korea Ltd.
Phone: +82 31 266 0741
sales@pfeiffer-vacuum.co.kr

Austria
Pfeiffer Vacuum Austria GmbH
Phone: +43 1 894 17 04
office@pfeiffer-vacuum.at

Sweden
Pfeiffer Vacuum Scandinavia AB
Phone: +46 8 590 748 10
sales@pfeiffer-vacuum.se

Switzerland
Pfeiffer Vacuum (Schweiz) AG
Phone: +41 44 444 22 55
info@pfeiffer-vacuum.ch

United States
Pfeiffer Vacuum Inc.
Phone: +1 603 578 6500
contact@pfeiffer-vacuum.com

www.pfeiffer-vacuum.net