

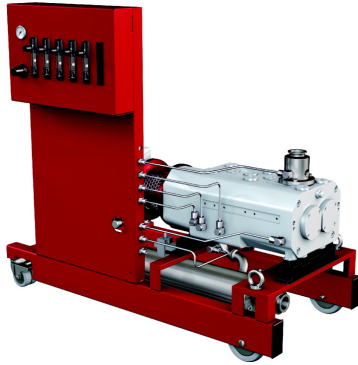
Data sheet - UniDry

UniDry™ 50 SM with accessory IG2,
400 V, 50 Hz ; 460 V, 60 Hz

Exhaust silencer with condensate drain made of stainless steel

UniDry™ 50 SM with accessory IG2, 400 V, 50 Hz ; 460 V, 60 Hz

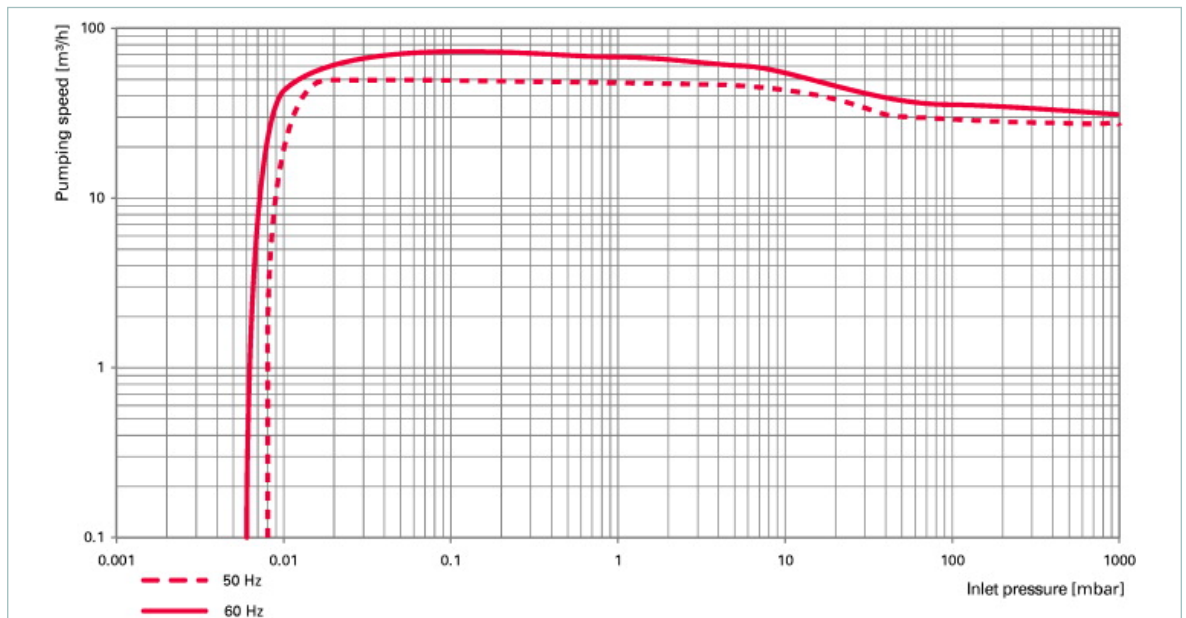
UniDry™
50 SM



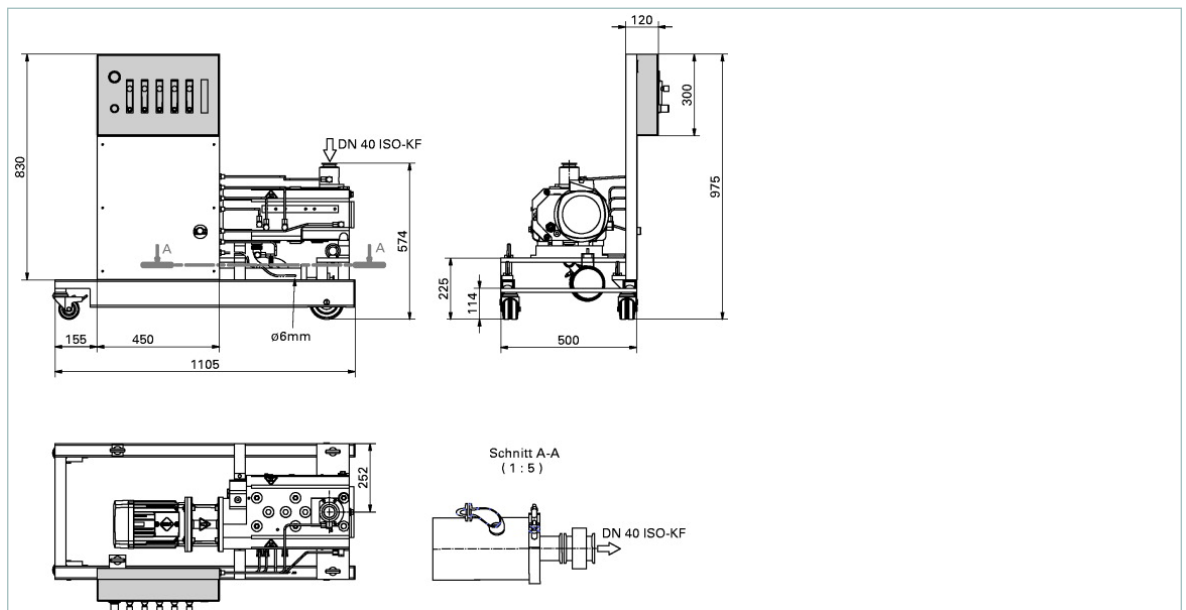
Similar Image

- Exhaust silencer with condensate drain made of stainless steel
- Non-return flap (at the exhaust) made of stainless steel
- In combination with the UniDry, those parts are mounted on a mobile basic frame with two lockable casters and two fixed rollers for heavy loads

Characteristics



Dimensions



UniDry™ 50 SM with accessory IG2, 400 V, 50 Hz ; 460 V, 60 Hz

Technical Data	UniDry™ 50 SM with accessory IG2, 400 V, 50 Hz ; 460 V, 60 Hz
Ambient temperature	5-40 °C
Cooling method, optional	Water
Cooling water pressure	2-10 bar
Cooling water temperature	5-35 °C
Exhaust pressure, max.	1500 mbar
Exhaust pressure, min.	500 mbar
Frequency range	40-60 Hz
Inert gas flow (process dependent) max.	0-3000 sl/h
Inert gas unit	IG2
Leak rate	$1 \cdot 10^{-5}$ mbar l/s
Nitrogen connection for hose	6 mm
Number of pumping stages	4
Operating fluid	F5
Operating fluid filling	0,32 l
Pumping speed at 50 Hz	50 m ³ /h
Pumping speed at 60 Hz	60 m ³ /h
Rotation speed at 50 Hz	3000 rpm
Rotation speed at 60 Hz	3600 rpm
Ultimate pressure without bearing purge at 50 Hz	$5 \cdot 10^{-2}$ mbar
Ultimate pressure without bearing purge at 60 Hz	$5 \cdot 10^{-2}$ mbar
Weight: with motor	210 kg

Order number	PPS10070
---------------------	-----------------

UniDry System

CWK 050, Cooling water unit for UniDry™	PPZ10300
Intake flange, DN 100 ISO-F	PK055473-T
Intake flange, DN 63 ISO-F	PK055214-T
PT 100, Temperature sensor	P0992605

Zubehör

Barretter actuation unit 3 TF	P4768051FQ
-------------------------------	-------------------

**Leading. Dependable.
Customer Friendly.**

Pfeiffer Vacuum stands for innovative and custom vacuum solutions worldwide, for German engineering art, competent advice and reliable service.

As the inventor of the turbopump, we have always been consistently setting standards in our industry and this claim to leadership will continue to drive us in the future.

**Are you looking for a
perfect vacuum solution?
Please contact us:**

Germany

Pfeiffer Vacuum GmbH
Headquarters
Phone: +49 (0) 6441 802-0
info@pfeiffer-vacuum.de

Benelux

Pfeiffer Vacuum GmbH
Sales & Service Benelux
Phone: +800-pfeiffer
benelux@pfeiffer-vacuum.de

China

Pfeiffer Vacuum
(Shanghai) Co., Ltd.
Phone: +86 21 3393 3940
info@pfeiffer-vacuum.cn

France

Pfeiffer Vacuum France SAS
Phone: +33 169 30 92 82
info@pfeiffer-vacuum.fr

Great Britain

Pfeiffer Vacuum Ltd.
Phone: +44 1908 500600
sales@pfeiffer-vacuum.co.uk

India

Pfeiffer Vacuum India Ltd.
Phone: +91 40 2775 0014
pfeiffer@vsnl.net

Italy

Pfeiffer Vacuum Italia S.p.A.
Phone: +39 02 93 99 05 1
contact@pfeiffer-vacuum.it

Korea

Pfeiffer Vacuum Korea Ltd.
Phone: +82 31 266 0741
sales@pfeiffer-vacuum.co.kr

Austria

Pfeiffer Vacuum Austria GmbH
Phone: +43 1 894 17 04
office@pfeiffer-vacuum.at

Sweden

Pfeiffer Vacuum Scandinavia AB
Phone: +46 8 590 748 10
sales@pfeiffer-vacuum.se

Switzerland

Pfeiffer Vacuum (Schweiz) AG
Phone: +41 44 444 22 55
info@pfeiffer-vacuum.ch

United States

Pfeiffer Vacuum Inc.
Phone: +1 603 578 6500
contact@pfeiffer-vacuum.com

www.pfeiffer-vacuum.net